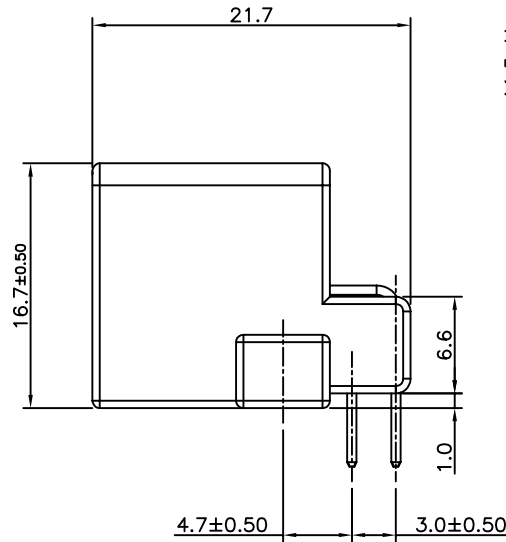
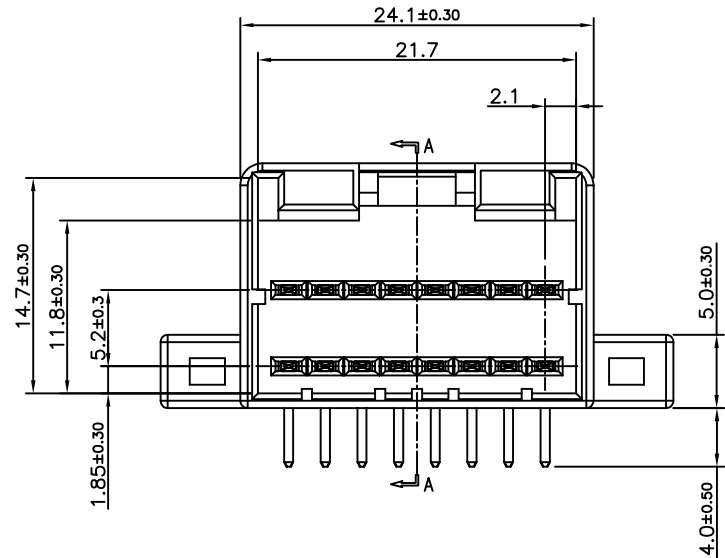


SECTION A-A



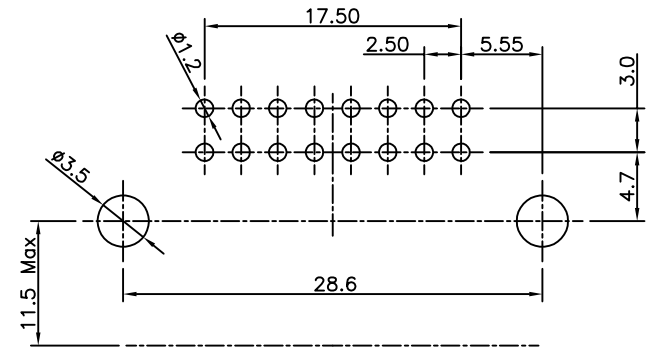
NOTES:

1. MATERIAL:
 - 1.1 HOUSING: THERMOPLASTIC, HIGH TEMP.,UL94-HB; COLOR:BLACK.
 - 1.2 TERMINAL: COPPER ALLOY
2. FINISH:
 - NICKEL UNDERPLATING OVERALL.
 - PURE TIN PLATING OVERALL
3. APPLICABLE P.C.BOARD THICKNESS:1.6mm
4. THE MATING PLUG HOUSING PART NUMBER:174046(TE)
5. RECOMMENDED MOUNTING SCREW:3mm DIA. 7mm LENGTH(min) PAN HEAD. CLASS 2 TAPPING SCREW SPRCIFIED IN JIS B1115. B1122(TIGHTENNING TORQUE:0.4N-m MAX.)
6. SPEC. PLS. REFER TO SPEC-92206-XXXX-XXX
7. PACKAGE PLS. REFER TO 92206-XXXX-XXX-PCK
8. PART NUMBER

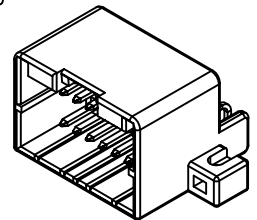
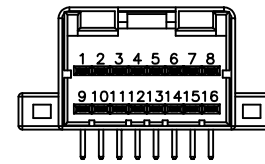
92206-XXX X X-CA1

NO OF CKT | PLAING
 016.CKT | L: LEAD FREE (PURE TIN)

PACKING
 1:TUBE
 2:TRAY



RECOMMENDED PCB LAYOUT
 GENRAL TOLERANCE ±0.05



一般公差 TOOLERANCES X ±0.5 JX ±0.15 X ±0.25 JX ±0.1 ANGLES ±2°		宏致電子股份有限公司 Aces Electronics Co.,Ltd.	
檢驗尺寸標示 SYMBOLS ⊕ INDICATE CLASSIFICATION DIMENSION ⊕ MARK IS CRITICAL DIM. ⊕ MARK IS MAJOR DIM.	品名 (TITLE) 2.5mm WT/B Wafer Conn. T/H D/R R/A Type	製圖 (DR) 15'/11/16 BEN 審核 (CHKD) WARLES	
	圖號 (DWG NO.) 92206-016XX-XXX	核准 (APPD) SEAN	
表面處理 (FINISH)	比例 (SCALE) 4:1	單位 (UNITS) mm	張數 (SHEET) 1 OF 1
			尺寸 (SIZE) A4
			版次 (REV) A